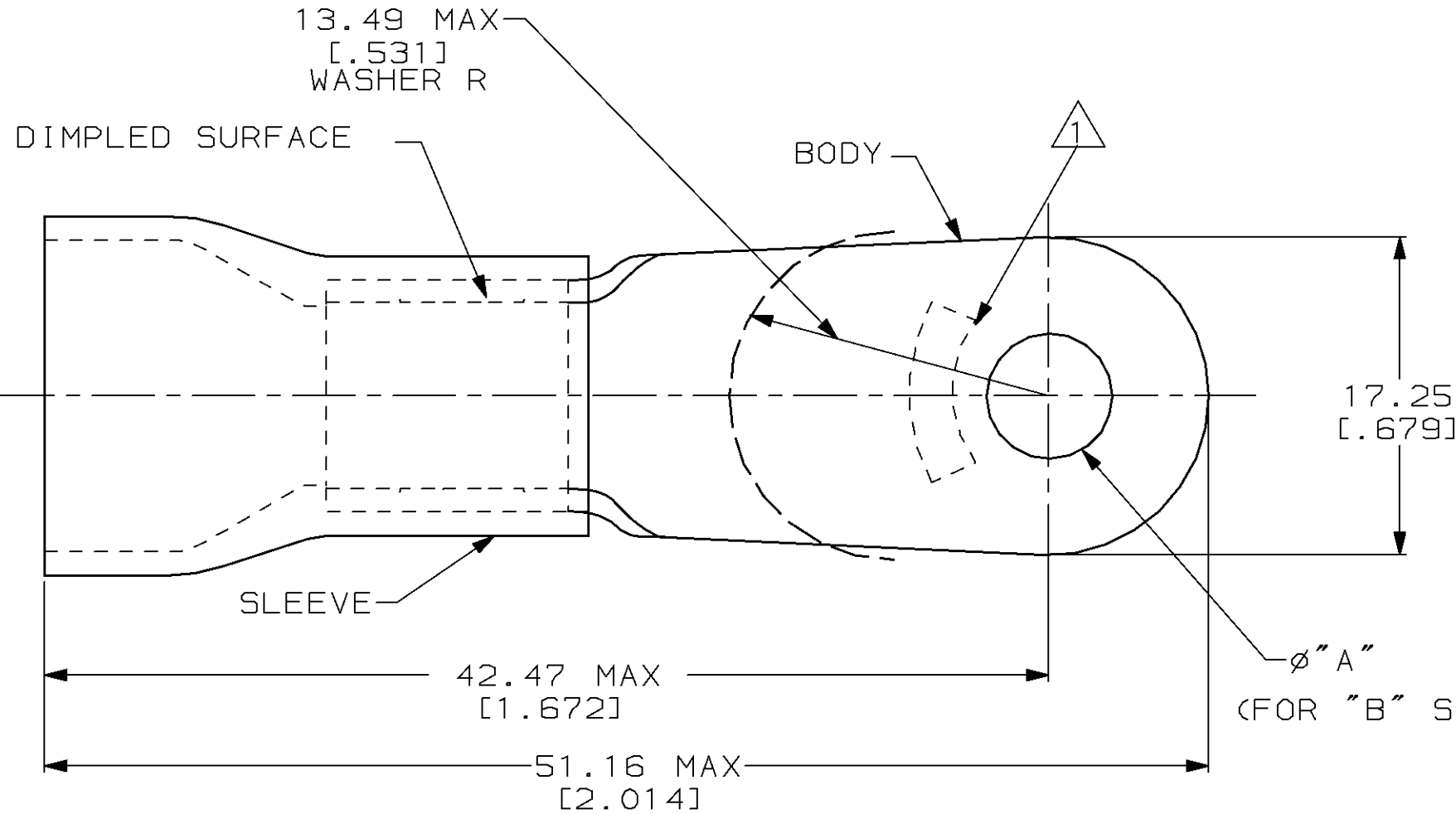


THIS DRAWING IS UNPUBLISHED. RELEASED FOR PUBLICATION, 19 .  
 © COPYRIGHT 19 BY AMP INCORPORATED. ALL INTERNATIONAL RIGHTS RESERVED.

LOC G	DIST 14	P	F	REVISIONS			DATE	APPD
				ZONE	LTR	DESCRIPTION		
					U	REV / 0L20-0041-97	29MAY97	ME BB



<b>AMP</b> WIRE RANGE	<b>RU</b> FILE E13288	<b>SR</b> LR7189 Certified
4 AWG STRANDED	4 AWG STRANDED	4 AWG STRANDED

- NOTE:
1. STAMP AMP 4\* LOCATE APPROX AS SHOWN
  2. TONGUE MATERIAL THK 1.22±0.08 [.048±.003]
  3. SEE TABLE FOR WIRE INSULATION DIA MAX
  4. FOREIGN PRODUCTION ONLY
  5. TAPE ITEMS ARE ON 30.48 [1.200] CENTERS

11.43 [.450]	3/8	9.91±0.13 [.390±.005]	20	LOOSE PC, BOX SPL	8-52266-5
	5/16	8.33±0.13 [.328±.005]	500	ON TAPE	1-52266-0 52266-9
	1/2	13.08±0.13 [.515±.005]	-	LOOSE PC	52266-5 <sup>4</sup>
	3/8	9.91±0.13 [.390±.005]	100		52266-4
5/16	8.33±0.13 [.328±.005]	100	52266-3		
1/2	13.08±0.13 [.515±.005]	-	52266-2 <sup>4</sup>		
13.08 [.515]	3/8	9.91±0.13 [.390±.005]	100		52266-1
	5/16	8.33±0.13 [.328±.005]	100		52266

<b>AMP INCORPORATED CUSTOMER SERVICE SYSTEMS</b>		MAX RECOMMENDED OPERATING TEMPERATURE: 90°C	DO NOT SCALE PRINT. UNLESS SPECIFIED DIMENSIONS IN mm [INCHES] TOLERANCES ON: 2 PLC DEC ± 0.20 [.008] 3 PLC DEC ± - ANGLES ± -	DR 9-29-93 S.S. GOULDEN	<b>AMP</b> AMP Incorporated Harrisburg, PA 17105-3608
FOR ADDITIONAL PRODUCT INFORMATION OR COPIES OF DRAWINGS AND TECHNICAL DOCUMENTS	PRODUCT INFORMATION CENTER 1-800-522-6752	VOLTAGE RATING: 600 V MAX	MATERIAL COPPER PER ASTM B-152 PVC, COLOR, YELLOW	CHK 9-29-93 R. HERSEY	
FOR APPLICATION TOOLING INFORMATION	TOOLING ASSISTANCE CENTER 1-800-722-1111	CIRCULAR MIL AREA: 16.77-26.65mm² [33, 100-52, 600] STRANDED	FINISH TIN PLATE PER MIL-T-10727	APPD 9-29-93 B. BARE	NAME TERMINAL, RING TONGUE, PLASTI-GRIP™, WIRE SIZE, 4 AWG
FOR ORDER ENTRY	1-800-526-5142	THIS DRAWING IS A CONTROLLED DOCUMENT FOR AMP INCORPORATED. IT IS SUBJECT TO CHANGE AND THE CONTROLLING ENGINEERING ORGANIZATION SHOULD BE CONTACTED FOR THE LATEST REVISION.		APPD 9-29-93 M. ELLIS	SIZE <b>B</b> CAGE CODE 00779 DRAWING NO <b>C-52266</b>
				PRODUCT SPEC NOT AVAILABLE	SCALE NTS SHEET 1 OF 1
				APPLICATION SPEC NOT AVAILABLE	
				WEIGHT -	